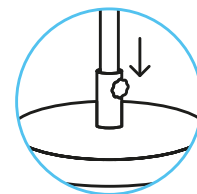
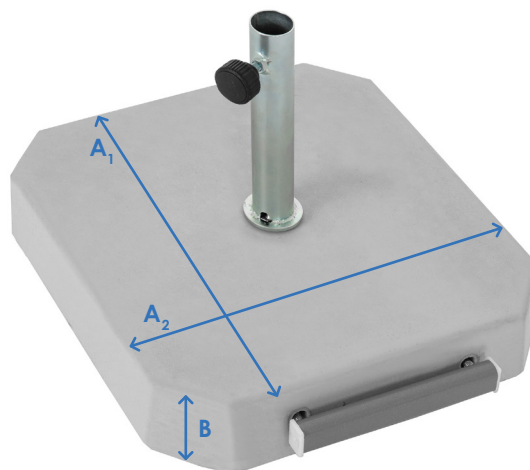
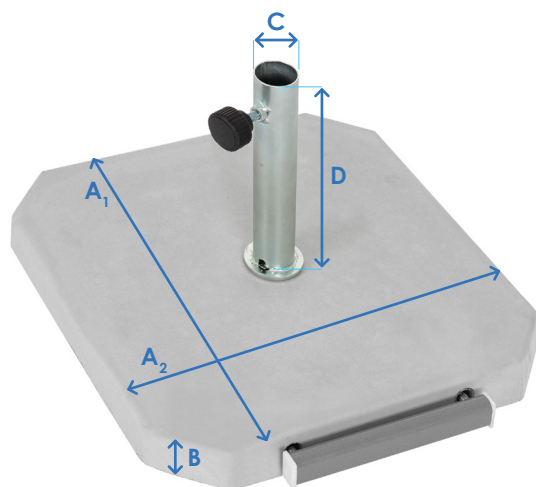


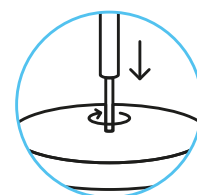


# PB370R15 / PB370R25

Concrete base



tube with a clamping knob



rotating pin

	PB370R15	PB370R25
Material	concrete, steel, aluminum	
Dimensions [mm]	$A_1: 370, A_2: 370, B: 50$	$A_1: 370, A_2: 370, B: 80$
Net weight [kg]	$15 \pm 3\%$	$25 \pm 3\%$
	Available tube	
Standard (dimensions [mm])	-	
With a clamping knob (dimensions [mm])	$C: \varnothing$ inner 22-30, $D: 197$   $C: \varnothing$ inner 31-38, $D: 197$	
Rotating pin for beachflag for masts $\varnothing 20$ mm (dimensions [mm])	$C: \varnothing$ outer 16,6, $D: 112$	
	Packaging	
Unit packaging [mm]	cardboard box 370 x 435 x 60	cardboard box 370 x 435 x 95
Collective packaging [mm]	pallet 1200 x 800	
Dedicated base for parasol model	<b>Beach Parasol:</b> 1,25 x 1,25 m; 1,35 x 1,35 m; 1,8 x 1,8 m; 1,8 m / 8; 2 m / 8	
Optional base for parasol model	-	

**Optional:**

- + sticker
- + steel base cover for PB 370 R25 base, color: RAL 7021, mat