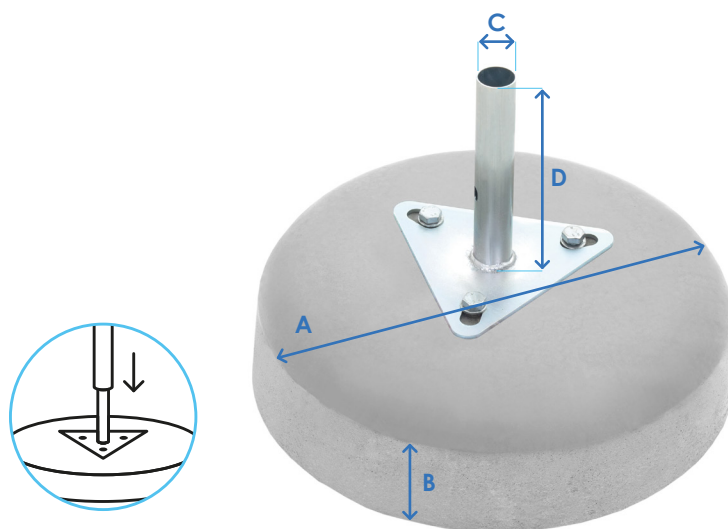




# PD450M

Concrete base



standard tube

Material	concrete, steel
Dimensions [mm]	<b>A:</b> Ø 450, <b>B:</b> 150
Net weight [kg]	42 ±3%
	Available tube
Standard (dimensions [mm])	<b>C:</b> Ø outer 35, <b>D:</b> 200
With a clamping knob (dimensions [mm])	-
	Packaging
Collective packaging [mm]	pallet 1350 x 900
Dedicated base for parasol model	<b>Eco Line:</b> 2 m / 6 ; 2,5 m / 8 <b>Easy Up:</b> 2 x 2 m
Optional base for parasol model	-