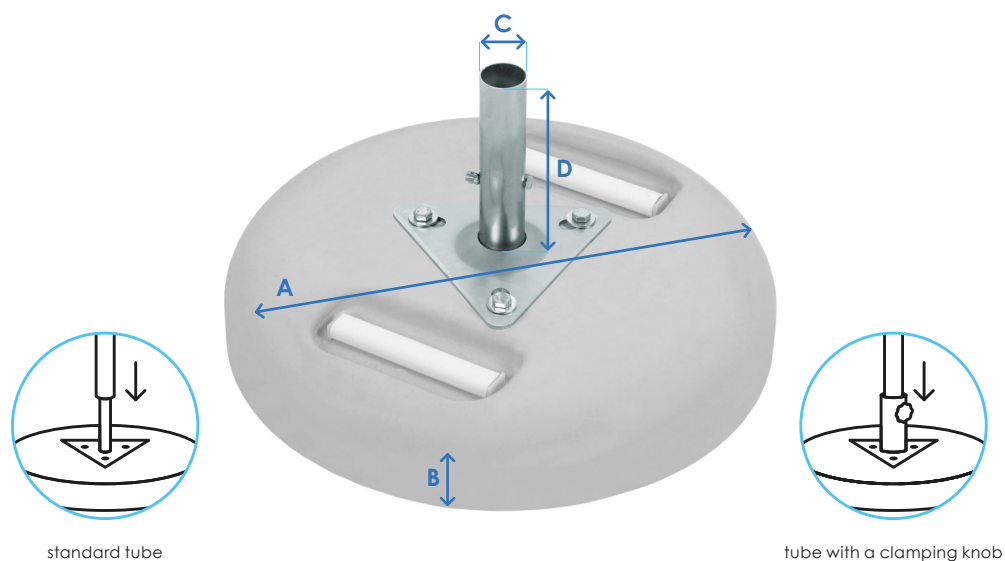




PD550RS

Concrete base



standard tube

tube with a clamping knob

Material	concrete, steel, aluminum
Dimensions [mm]	A: Ø 550, B: 100
Net weight [kg]	45 ±3%

	Available tube
Standard (dimensions [mm])	C: Ø outer 35, D: 200 C: Ø outer 45, D: 200
With a clamping knob (dimensions [mm])	C: Ø inner 41, D: 215 (recommended for poles with a diameter of 35-40 mm) C: Ø inner 51, D: 215 (recommended for poles with a diameter of 45-50 mm)

	Packaging
Collective packaging [mm]	pallet 1200 x 800

Dedicated base for parasol model (with tube [mm])	Eco Line (Ø outer 35): 2 m / 6; 2,5 m / 8; Easy Up (Ø outer 35): 2 x 2 m
Optional base for parasol model (with tube [mm])	Easy Up (Ø outer 45, Ø inner 51): 2,5 x 2,5 m

Optional:

- + mobile set for parasol bases