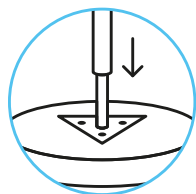
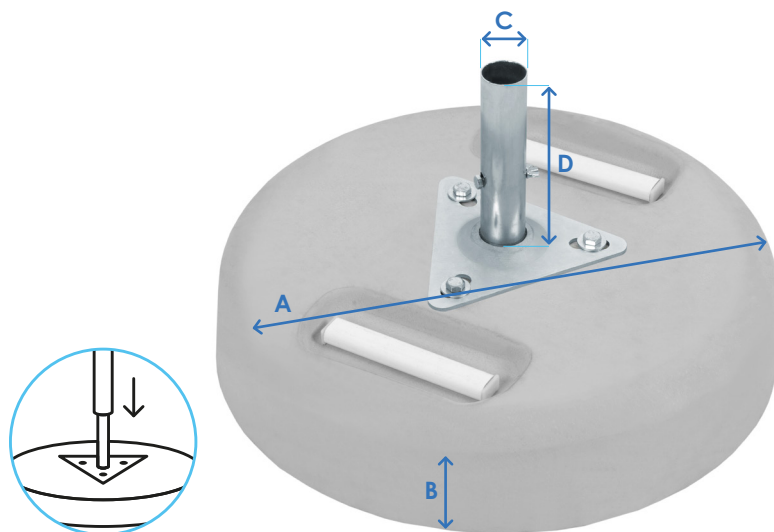




# PD580RS

Concrete base



standard tube

Material	concrete, steel, aluminum
Dimensions [mm]	<b>A:</b> 580, <b>B:</b> 145
Net weight [kg]	65 ±3%

	Available tube
Standard (dimensions [mm])	<b>C:</b> Ø outer 35, <b>D:</b> 200   <b>C:</b> Ø outer 45, <b>D:</b> 200   <b>C:</b> Ø outer 55, <b>D:</b> 250
With a clamping knob (dimensions [mm])	<b>C:</b> Ø inner 41, <b>D:</b> 215 (recommended for poles with a diameter of 35-40 mm) <b>C:</b> Ø inner 51, <b>D:</b> 215 (recommended for poles with a diameter of 45-50 mm) <b>C:</b> Ø inner 61, <b>D:</b> 215 (recommended for poles with a diameter of 55-60 mm)

	Packaging
Collective packaging [mm]	pallet 1200 x 800

Dedicated base for parasol model (with tube [mm])	-
Optional base for parasol model with tube [mm]	<b>Eco Line (Ø outer 35):</b> 2 m/6; 2,5 m / 8; <b>Easy Up (Ø outer 35):</b> 2 x 2 m; <b>Easy Up (Ø outer 45):</b> 2,5 x 2,5 m, 3 x 3 m, 3 m / 8, 3,5 m / 8; <b>Easy Up (Ø inner 51):</b> 2,5 x 2,5 m, 3 x 3 m, 3 m / 8, 3,5 m / 8; <b>Classic (Ø outer 45):</b> 3 x 3 m; <b>Classic (Ø inner 51):</b> 3 x 3 m; <b>Telescopic (Ø outer 55):</b> 3 x 3 m; <b>Telescopic (Ø inner 61):</b> 3 x 3 m

**Optional:**

- + mobile set for parasol bases