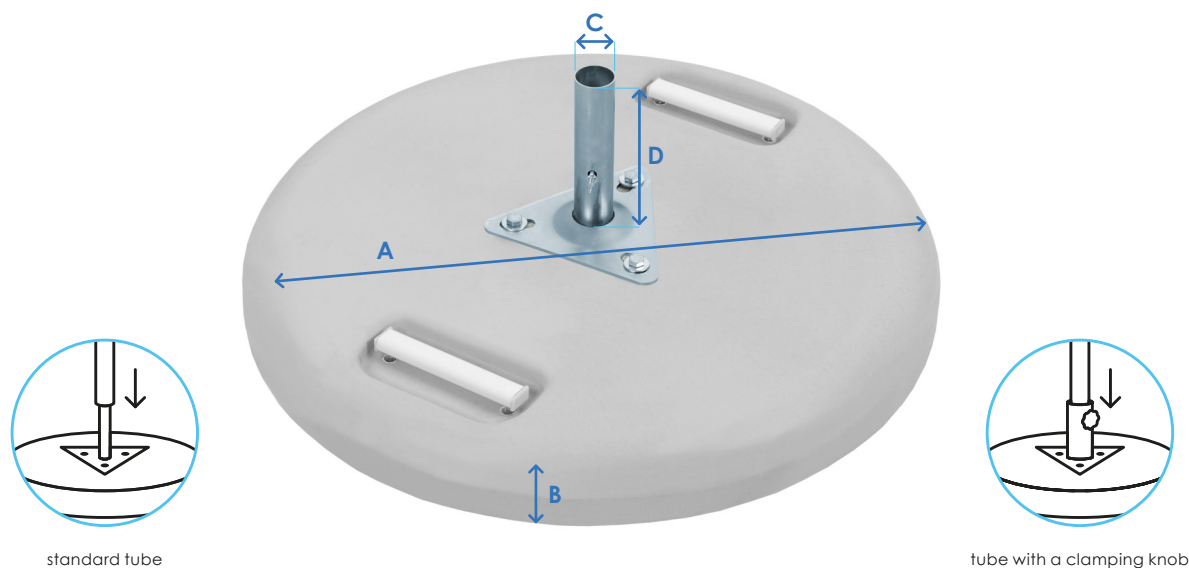




# PD800RS

Concrete base



standard tube

tube with a clamping knob

Material	concrete, steel, aluminum
Dimensions [mm]	A: $\varnothing$ 800, B: 110 (standard tube) / 100 (tube with a clamping knob)
Net weight [kg]	100 $\pm$ 3%

	Available tube
Standard (dimensions [mm])	C: $\varnothing$ outer 35, D: 200   C: $\varnothing$ outer 45, D: 200   C: $\varnothing$ outer 55, D: 250   C: $\varnothing$ outer 70, D: 250
With a clamping knob (dimensions [mm])	C: $\varnothing$ inner 41, D: 215 (recommended for poles with a diameter of 35-40 mm) C: $\varnothing$ inner 51, D: 215 (recommended for poles with a diameter of 45-50 mm) C: $\varnothing$ inner 61, D: 215 (recommended for poles with a diameter of 55-60 mm)

	Packaging
Collective packaging [mm]	pallet 1200 x 800

Dedicated base for parasol model	-
Optional base for parasol model (with tube [mm])	<b>Eco Line (<math>\varnothing</math> outer 35):</b> 2 m / 6; 2,5 m / 8; <b>Easy Up (<math>\varnothing</math> outer 35, <math>\varnothing</math> inner 41):</b> 2 x 2 m; <b>Easy Up (<math>\varnothing</math> outer 45, <math>\varnothing</math> inner 51):</b> 2,5 x 2,5 m, 3 x 3 m, 3 m / 8, 3,5 m / 8, 4 m / 8; <b>Classic (<math>\varnothing</math> outer 45, <math>\varnothing</math> inner 51):</b> 3 x 3 m; <b>Classic (<math>\varnothing</math> outer 55):</b> 3,5 x 3,5 m, 4 x 4 m, 4 m / 8; <b>Classic (<math>\varnothing</math> inner 61):</b> 3,5 x 3,5 m, 4 x 4 m, 4 m / 8; <b>Telescopic (<math>\varnothing</math> outer 55):</b> 3 x 3 m, 3,5 x 3,5 m, 4 x 4 m; <b>Telescopic (<math>\varnothing</math> inner 61):</b> 3 x 3 m, 3,5 x 3,5 m, 4 x 4 m; <b>Rectangular (<math>\varnothing</math> outer 55, <math>\varnothing</math> inner 61):</b> 2 x 3 m, 3 x 4 m; <b>Strong (<math>\varnothing</math> outer 70):</b> 3 x 3 m;

**Optional:**

+ mobile set for parasol bases