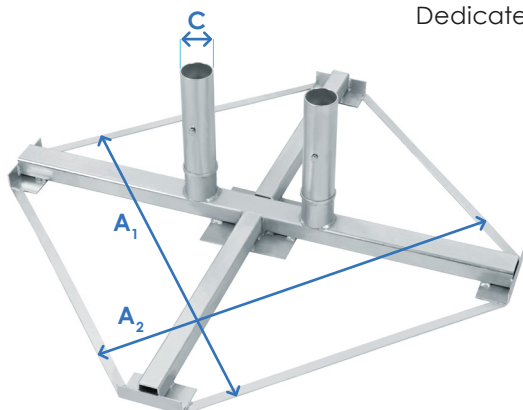




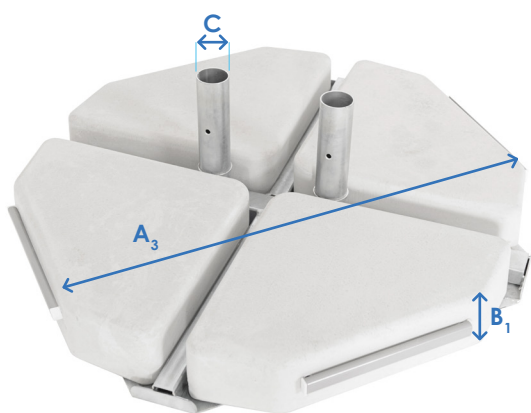
PDKI / PDKI-BCW Plus / PDKI-BCW+R Plus

Dedicated base for parasol model Ibiza Plus



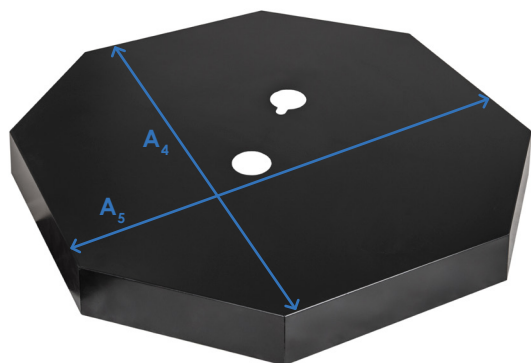
	PDKI
Material	steel
Dimensions [mm]	$A_1: 814, A_2: 814, C: \text{Ø inner } 63,5$
Net weight [kg]	$14 \pm 3\%$

	Packaging
Collective packaging [mm]	pallet 1200 x 800 x 500



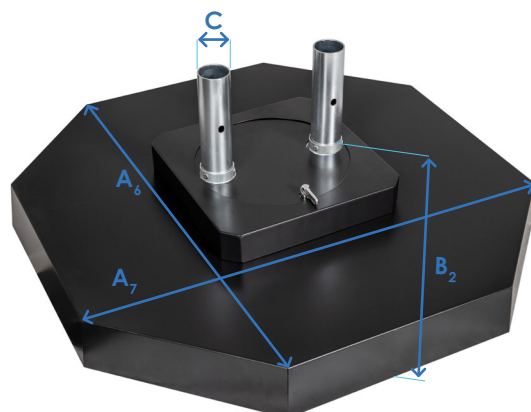
	PDKI-BCW Plus
Material	concrete, steel, aluminum
Dimensions [mm]	$A_3: \text{Ø } 1010, B_1: 125, C: \text{Ø inner } 63,5$
Net weight [kg]	$194 \pm 3\%$

	Packaging
Collective packaging [mm]	pallet 1200 x 800 x 500



	Steel base cover for PDKI-BCW Plus
Material	aluminum
Dimensions [mm]	$A_4: 1070, A_5: 1030$
Net weight [kg]	$5 \pm 3\%$

	Packaging
Unit packaging [mm]	cardboard box 1047 x 135 x 1047
Collective packaging [mm]	pallet 1200 x 800 x 500



	Rotary base PDKI-BCW+NR Plus*
Material	concrete, steel, aluminum
Dimensions [mm]	$A_6: 1070, A_7: 1030, B_2: 232, C: \text{Ø inner } 63,5$
Net weight [kg]	$235 \pm 3\%$

*with concrete weights, base cover and rotator

	Packaging
Collective packaging [mm]	paleta 1200 x 800 x 500