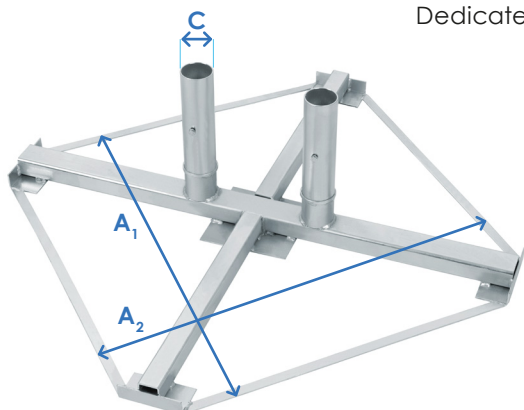




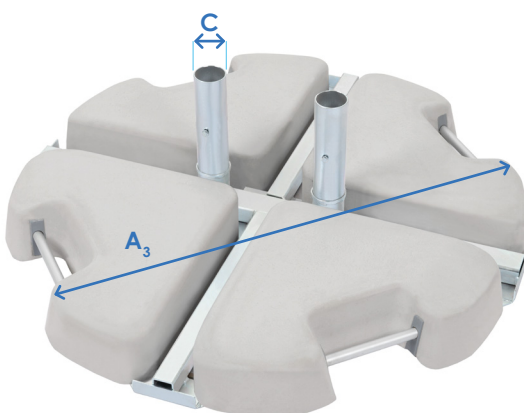
PDKI / PDKI-BCW / PDKI-BCW+R

Dedicated base for parasol model Ibiza Plus



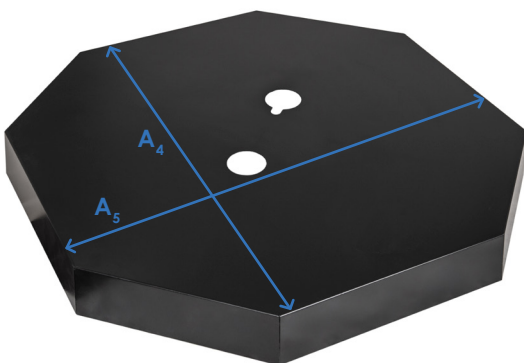
PDKI	
Material	steel
Dimensions [mm]	$A_1: 814, A_2: 814, C: \text{Ø inner } 63,5$
Net weight [kg]	$16 \pm 3\%$

Packaging	
Collective packaging [mm]	pallet 1200 x 800 x 500



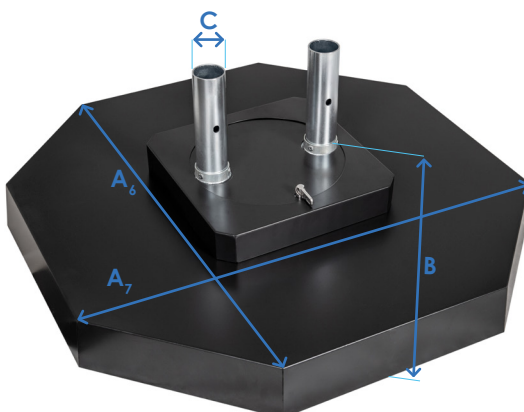
PDKI-BCW	
Material	concrete, steel, aluminum
Dimensions [mm]	$A_3: \text{Ø } 980, C: \text{Ø inner } 63,5$
Net weight [kg]	$168 \pm 3\%$

Packaging	
Collective packaging [mm]	pallet 1200 x 800 x 500



Steel base cover for PDKI-BCW	
Material	aluminum
Dimensions [mm]	$A_4: 1005, A_5: 1005$
Net weight [kg]	$5 \pm 3\%$

Packaging	
Unit packaging [mm]	cardboard box 1012 x 120 x 1012
Collective packaging [mm]	pallet 1200 x 800 x 500



Rotary base PDKI-BCW+NR*	
Material	concrete, steel, aluminum
Dimensions [mm]	$A_6: 1005, A_7: 1005, B: 220, C: \text{Ø inner } 63,5$
Net weight [kg]	$205 \pm 3\%$

*with concrete weights, base cover and rotator

Packaging	
Collective packaging [mm]	paleta 1200 x 800 x 500