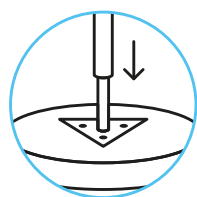


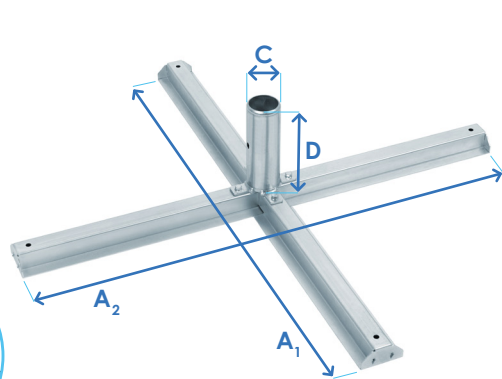


# PDUE / PDUE- B50

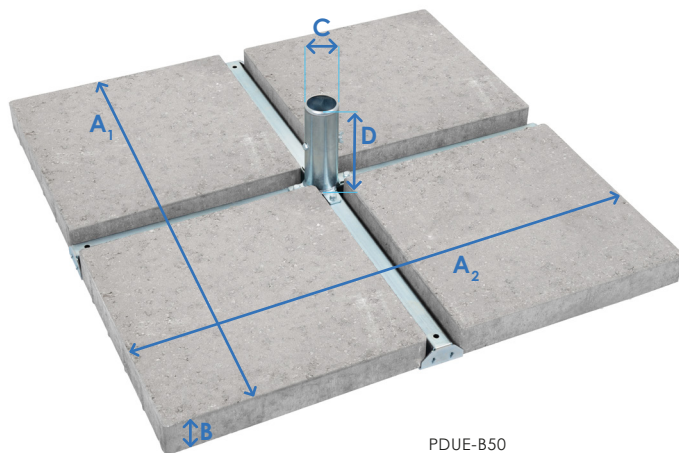
Metal cross base



standard tube



PDUE



PDUE-B50

	PDUE	PDUE-B50
Material	steel	concrete, steel
Dimensions [mm]	A <sub>1</sub> : 1070, A <sub>2</sub> : 1070	A <sub>1</sub> : 1070, A <sub>2</sub> : 1070, B: 75
Net weight [kg]	8 ±3%	159 ±3%

	Available tube
Standard (dimensions [mm])	C: Ø outer 45, D: 200   C: Ø outer 55, D: 250   C: Ø outer 70, D: 200
With a clamping knob (dimensions [mm])	-

	Packaging	
Type of packaging	cardboard box	pallet
Package dimensions [mm]	1100 x 170 x 170	1200 x 1200

Dedicated base for parasol model (with tube [mm])	<b>Strong (Ø outer 70):</b> 3 x 3 m, 3,5 x 3,5 m, 4 x 4 m, 5,5 m / 8
Optional base for parasol model (with tube [mm])	<b>Easy Up (Ø outer 45):</b> 2,5 x 2,5 m, 3 x 3 m, 3 m / 8, 3,5 m / 8, 4 m / 8; <b>Classic (Ø outer 45):</b> 3 x 3 m; <b>Classic (Ø outer 55):</b> 3,5 x 3,5 m, 4 x 4 m, 4 m / 8; <b>Telescopic (Ø outer 55):</b> 3 x 3 m, 3,5 x 3,5 m, 4 x 4 m; <b>Rectangular (Ø outer 55):</b> 2 x 3 m, 3 x 4 m