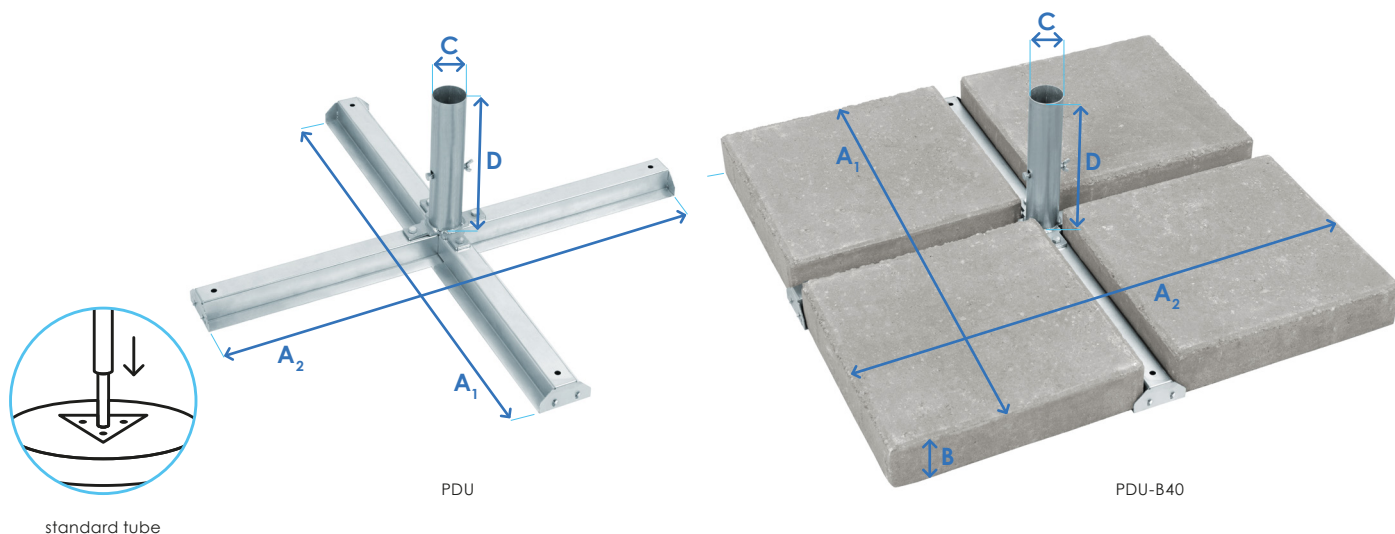




PDU / PDU-B40

Metal cross base



	PDU	PDU-B40
Material	steel	concrete, steel
Dimensions [mm]	A ₁ : 860, A ₂ : 860	A ₁ : 860, A ₂ : 860, B: 82
Net weight [kg]	5,5 ±3%	118 ±3%

	Available tube
Standard (dimensions [mm])	C: Ø outer 45, D: 200 C: Ø outer 55, D: 250
With a clamping knob (dimensions [mm])	-

	Packaging	
Type of packaging	cardboard box	pallet
Package dimensions [mm]	900 x 170 x 170	1100 x 1200

Dedicated base for parasol model (with tube [mm])	Easy Up Plus (Ø outer 55): 3,5 x 3,5 m; Classic (Ø outer 55): 4 x 4 m; Telescopic (Ø outer 55): 4 x 4 m
Optional base for parasol model (with tube [mm])	Easy Up (Ø outer 45): 2,5 x 2,5 m, 3 x 3 m, 3 m / 8, 3,5 m / 8; 4 m / 8; Classic (Ø outer 45): 3 x 3 m; Classic (Ø outer 55): 3,5 x 3,5 m; Telescopic (Ø outer 55): 3 x 3 m, 3,5 x 3,5 m; Rectangular (Ø outer 55): 2 x 3 m, 3 x 4 m